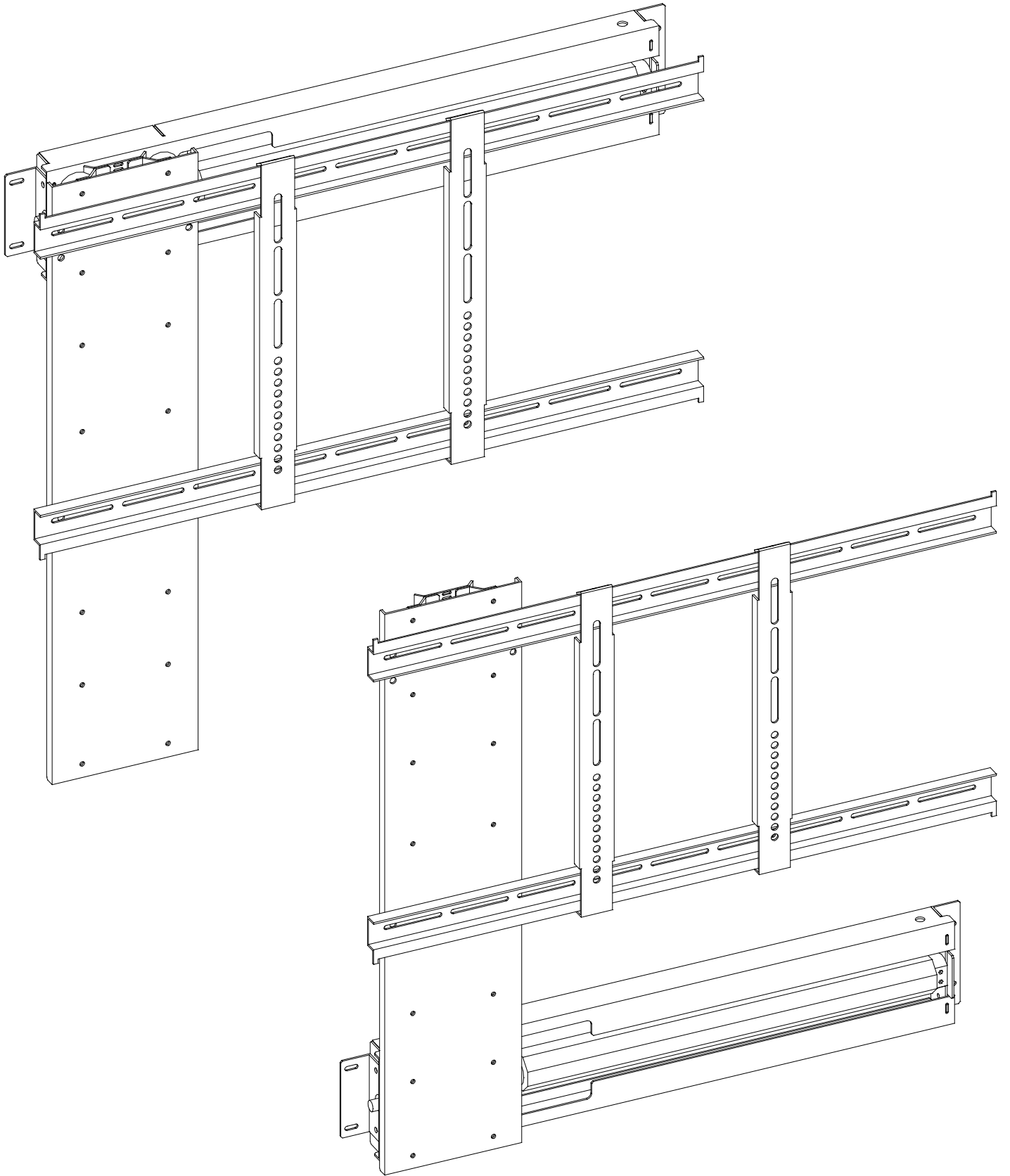
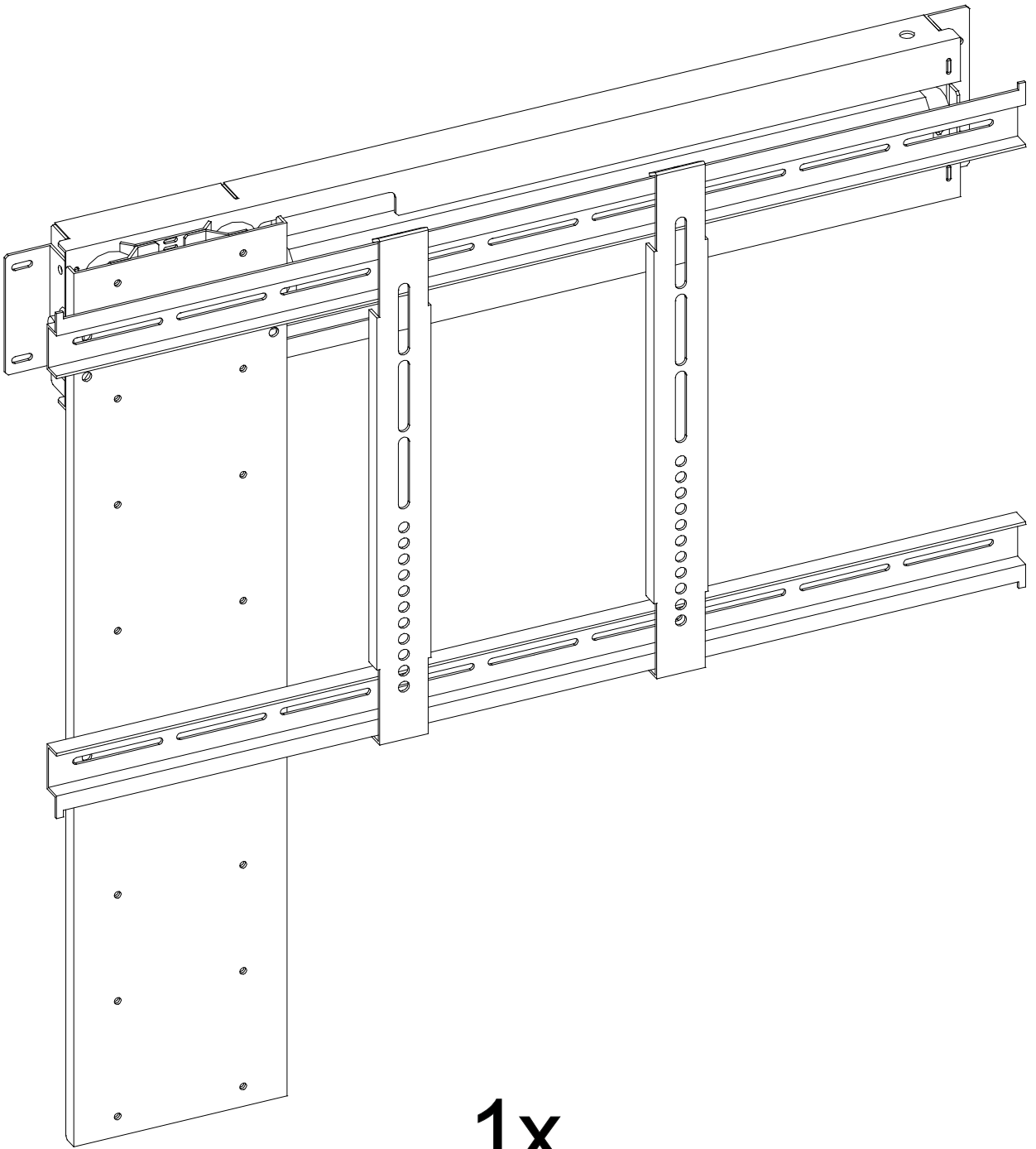
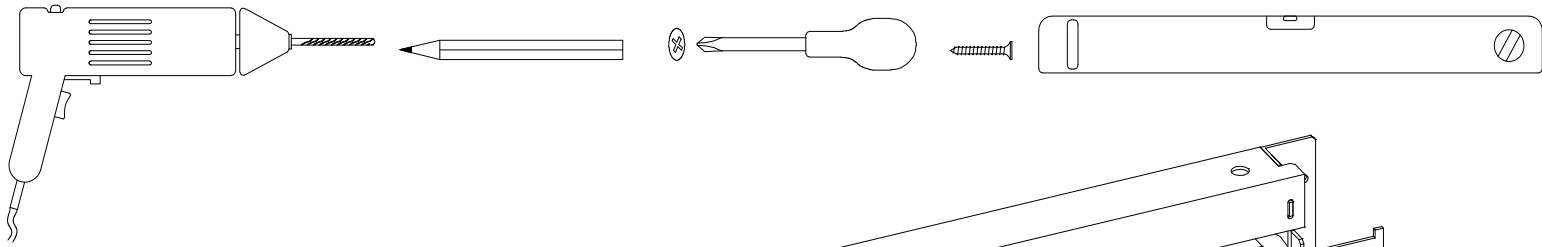
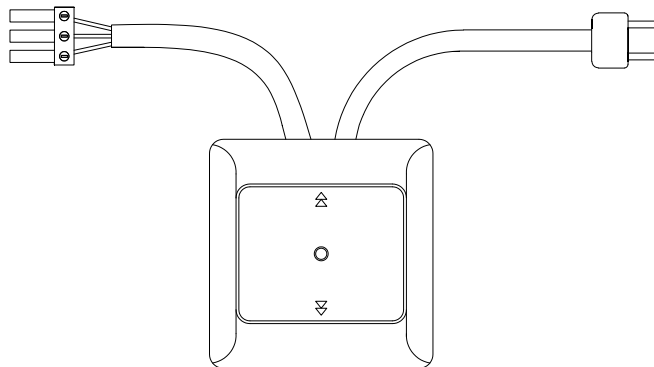


IC SERIES





1x

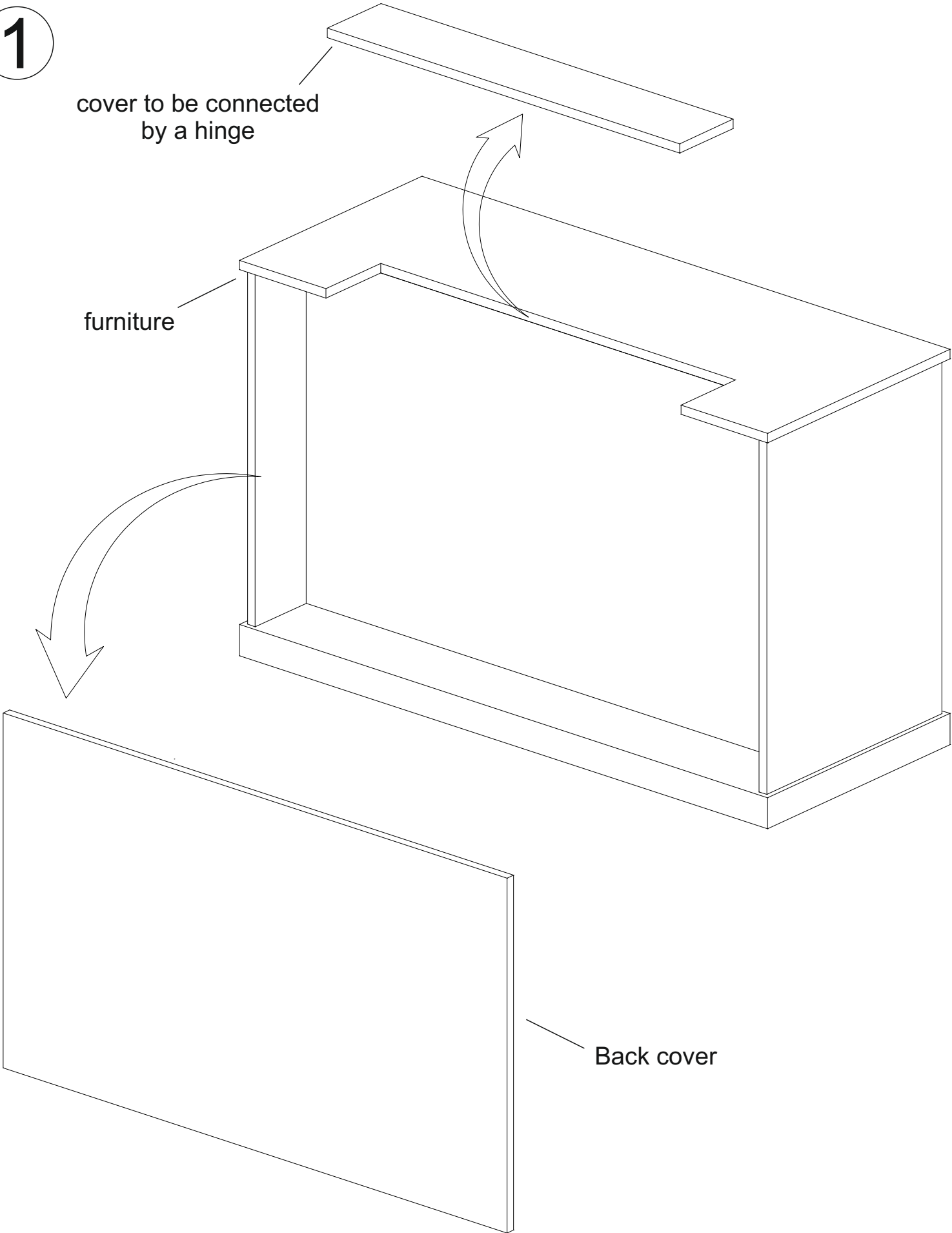


1x

1

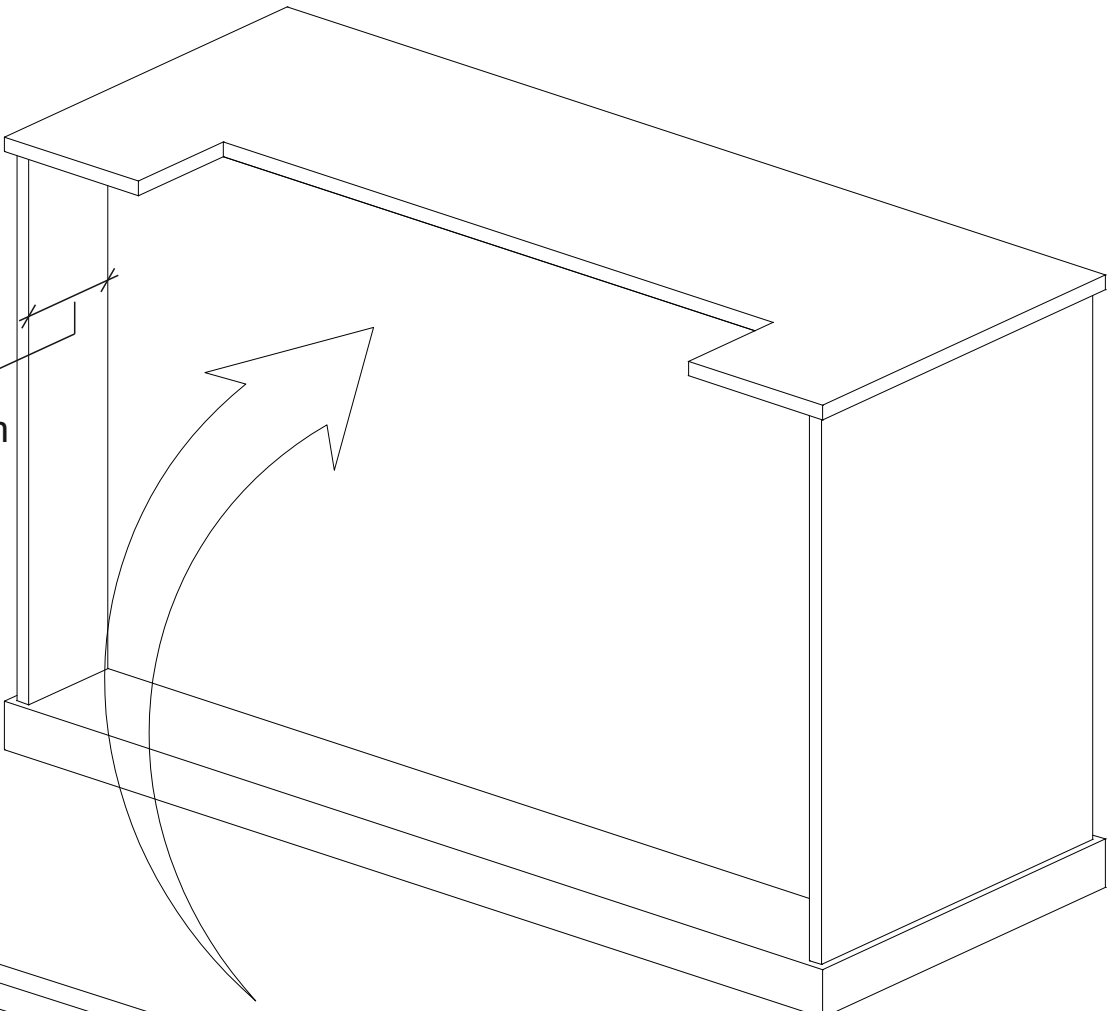
cover to be connected
by a hinge

furniture

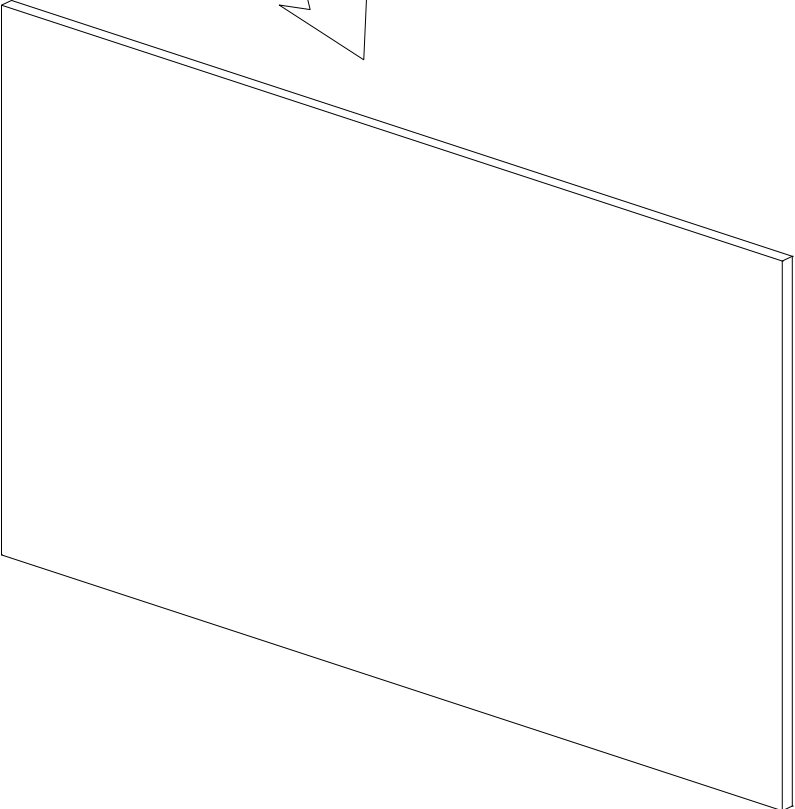
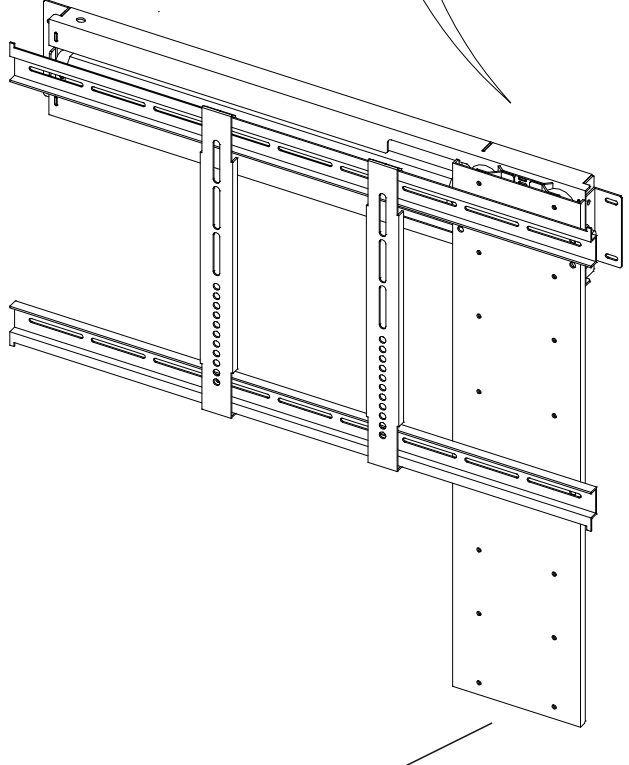


Back cover

2



Tv Wall
thickness+10cm

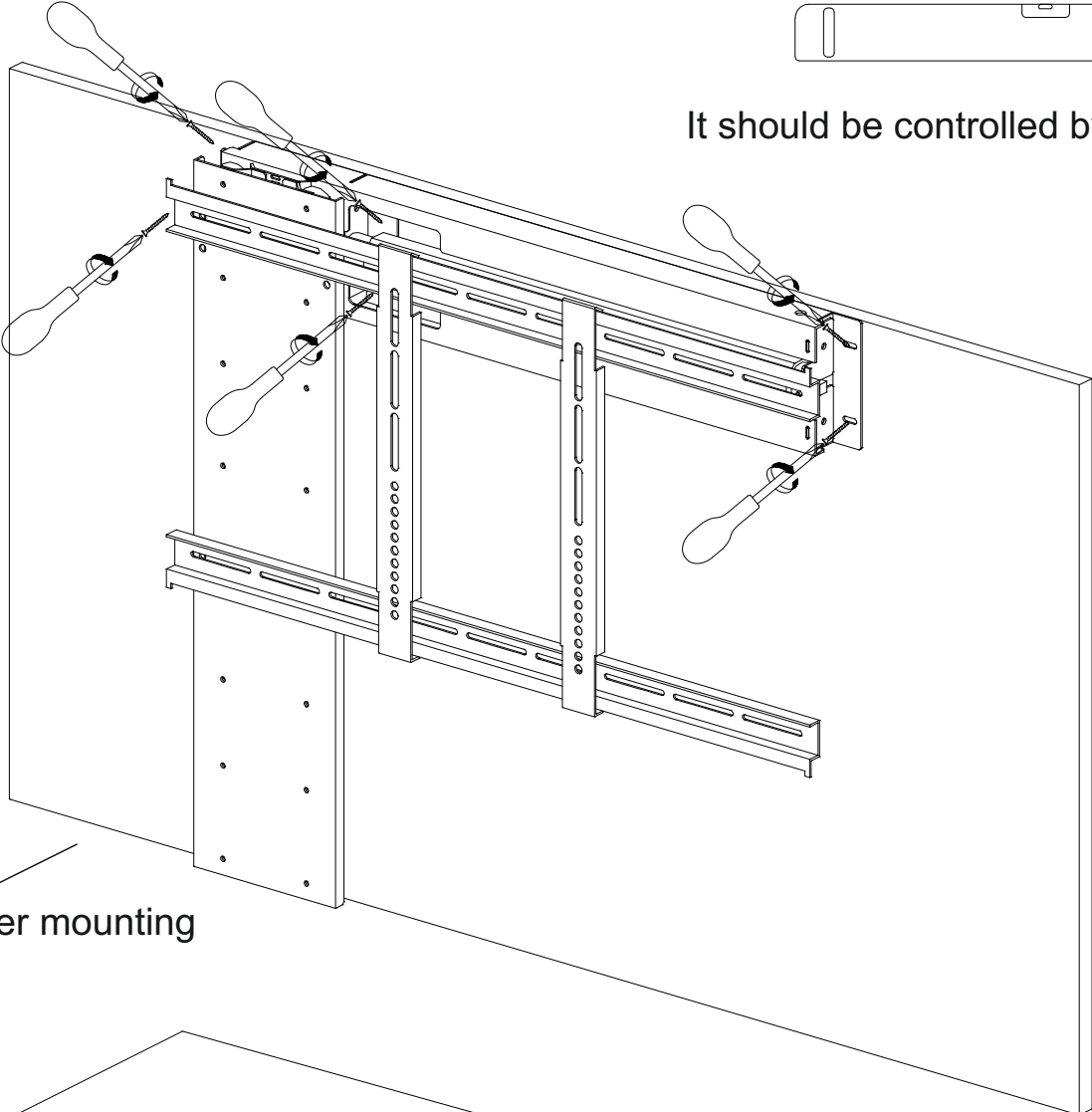


You should mount the mechanism
in that direction which side of the
TV screen

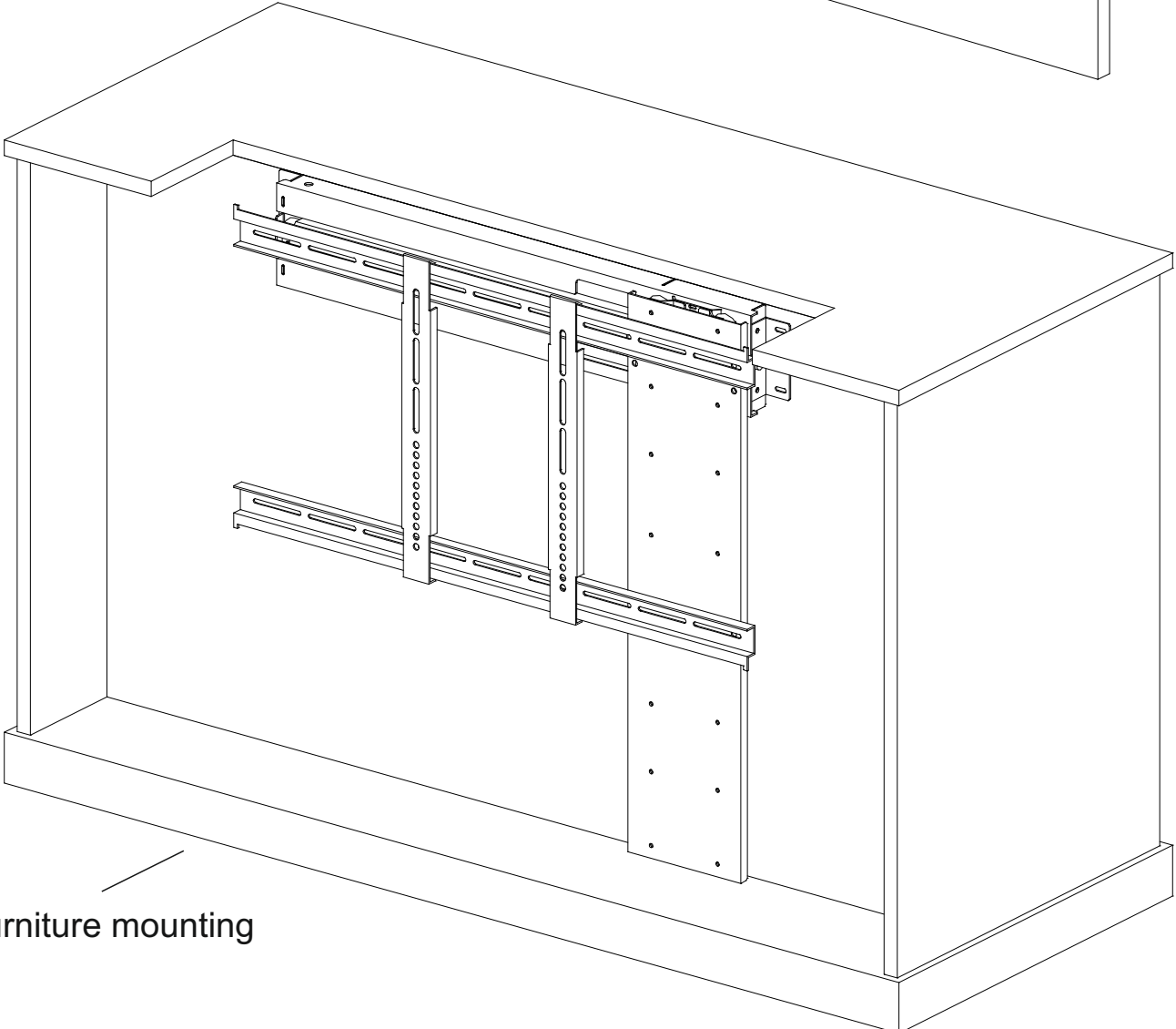
3



It should be controlled by spirit level



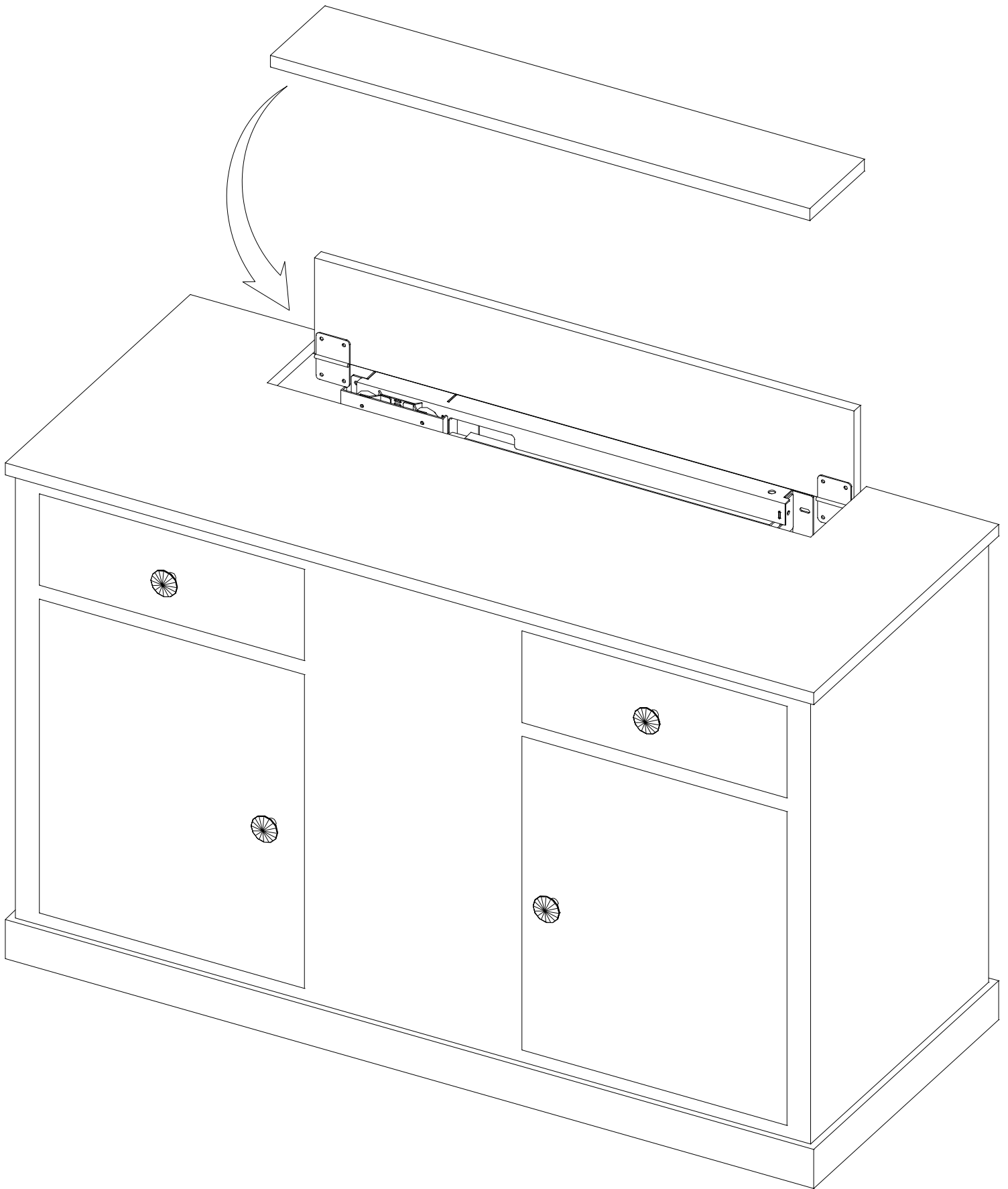
back cover mounting



furniture mounting

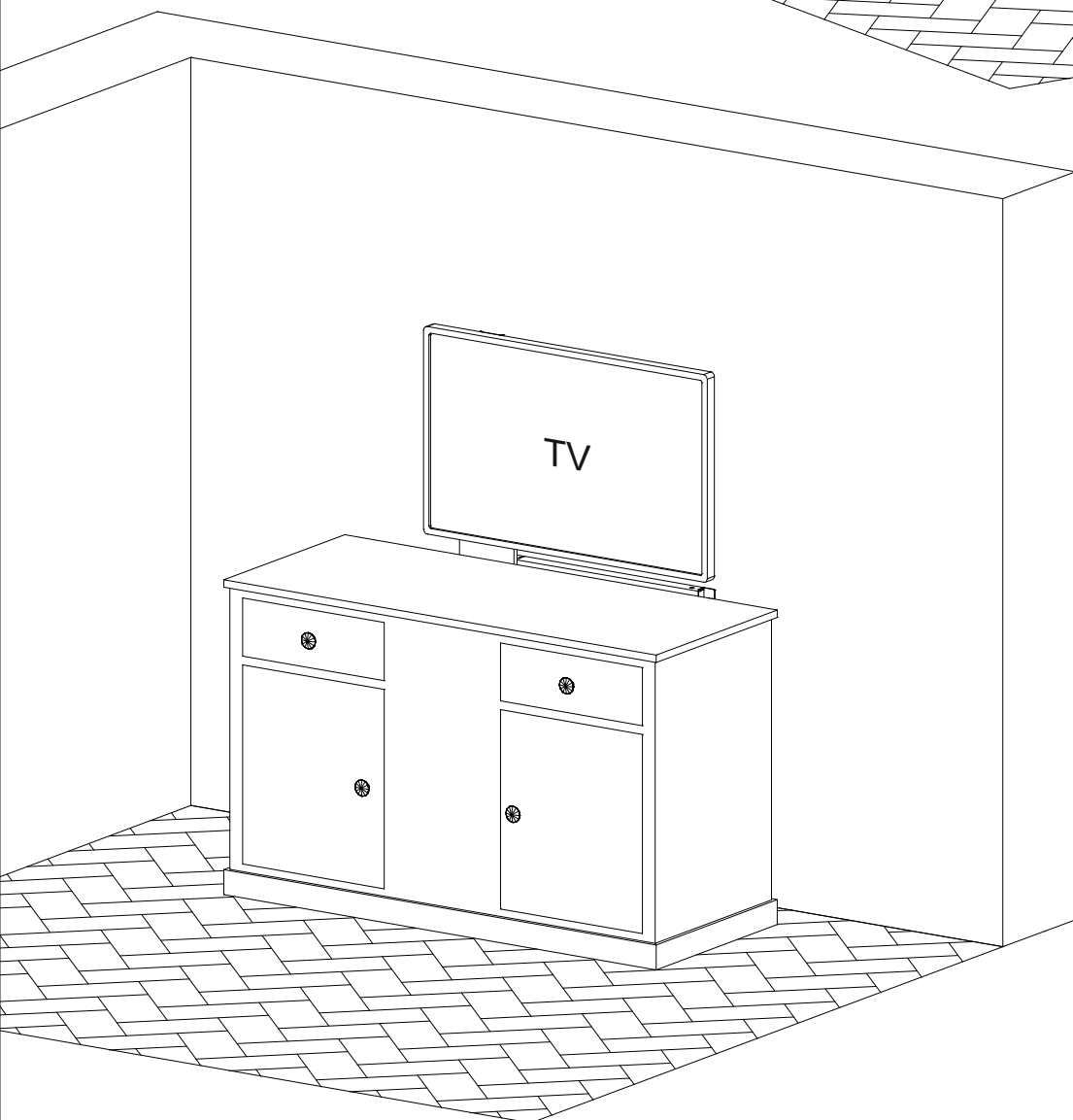
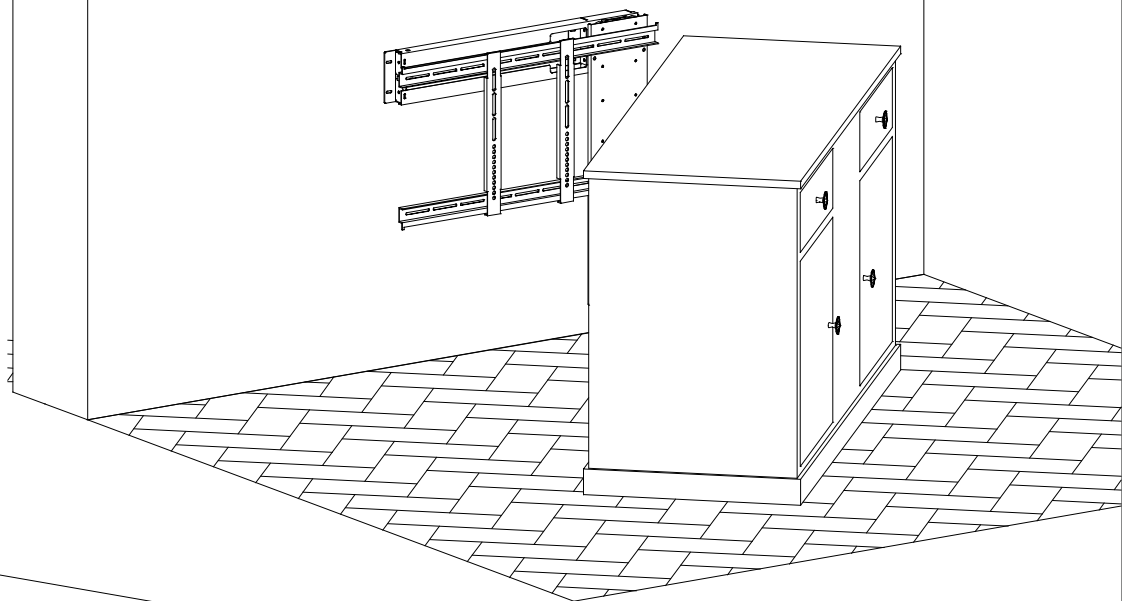
4

Top Cover hinges Should be installed.
on the back of the TV



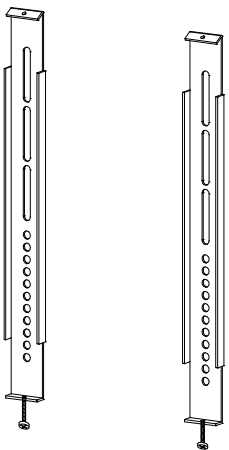
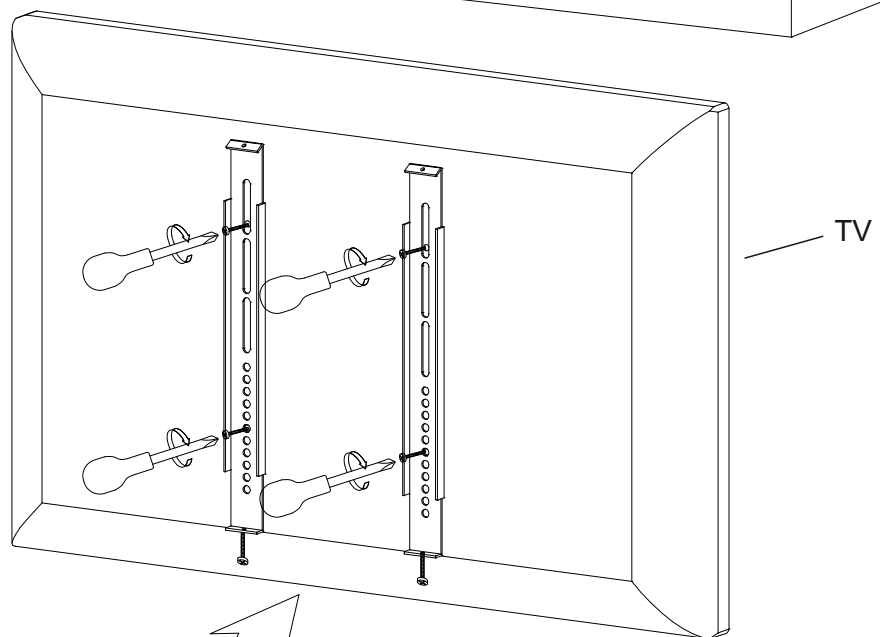
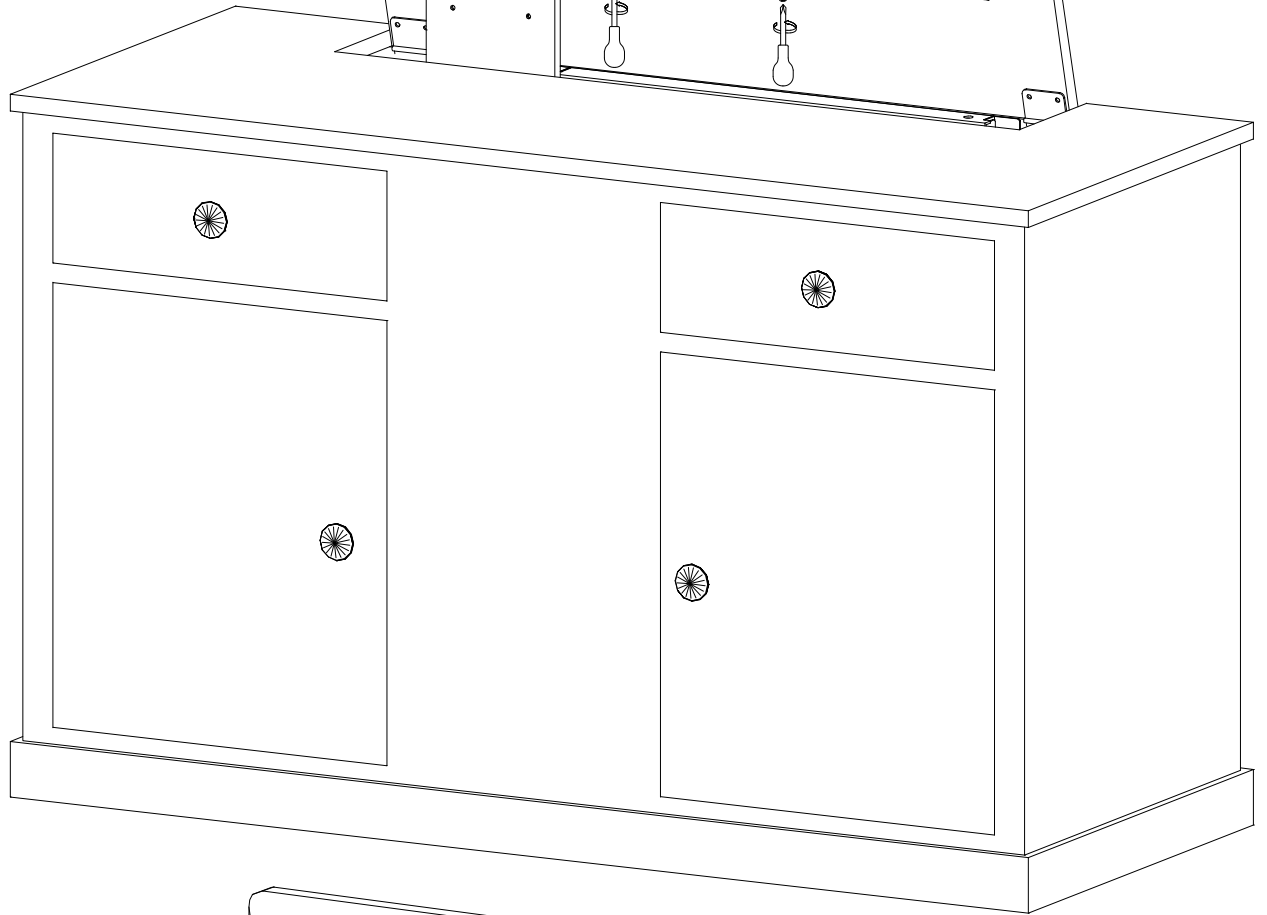
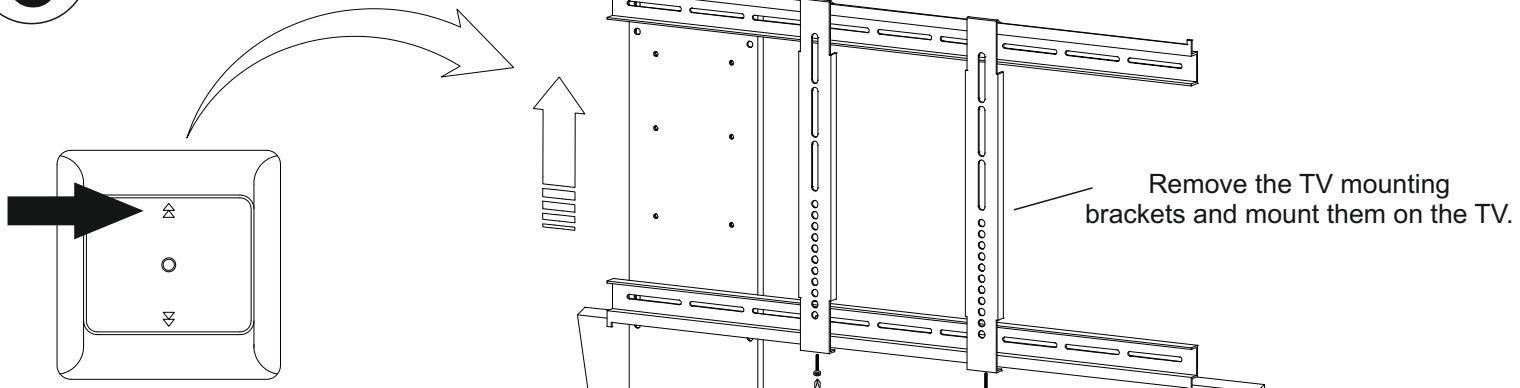
5

you can also mount the tv
on the Wall behind your furniture.

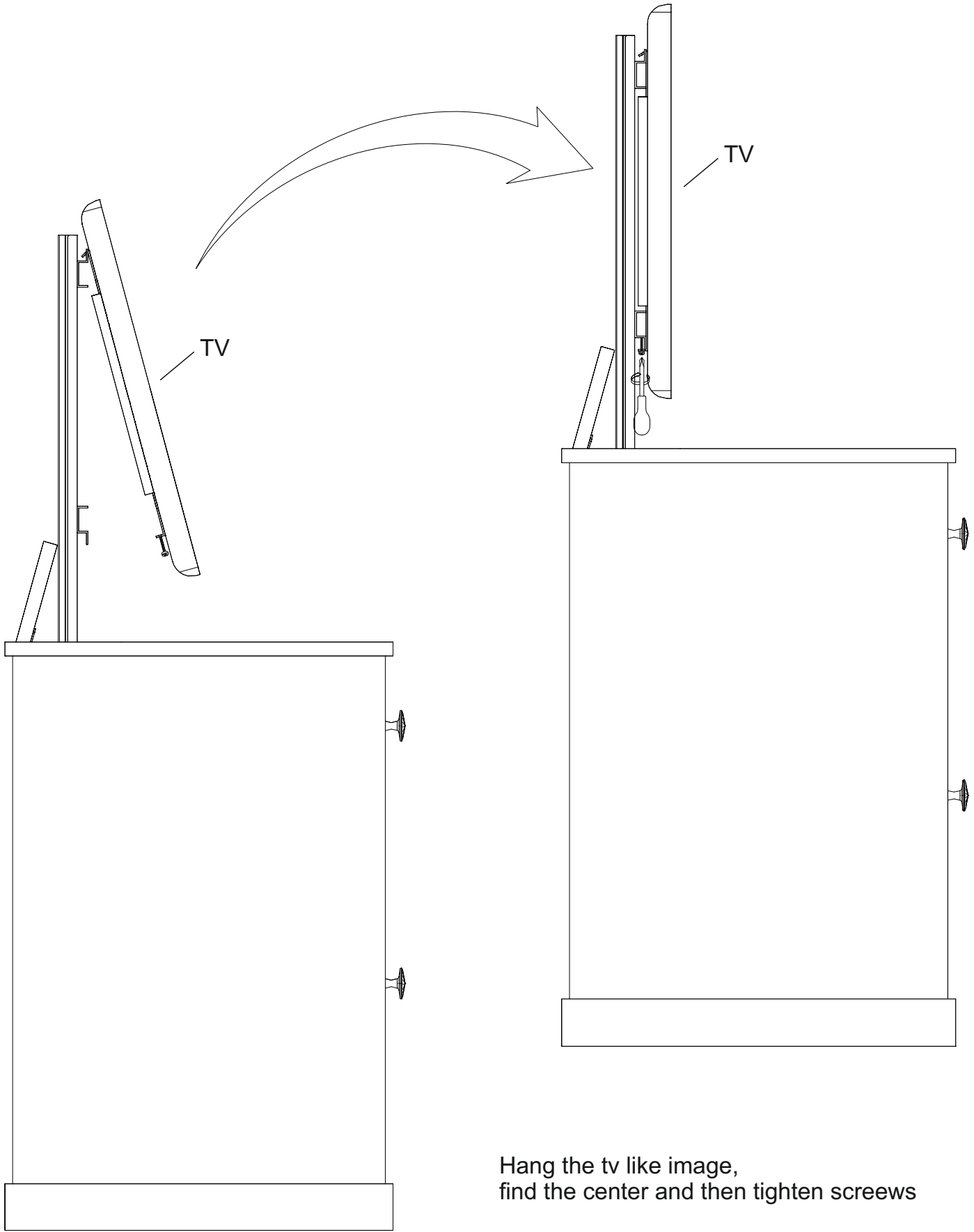


reference viewing

6



7



Hang the tv like image,
find the center and then tighten screws

8

