

IC Series :

*The most important feature of this mechanism, which is vertically movable, is that the width of the TV is compatible with whatever size it is. This product, which can be installed and operated by anyone with the advantage of easy assembly, can be operated by mounting a direct wall behind any object if desired. As the mechanism that draws attention with its fine structure does not create a lot of space between the object and the wall in front, Furniture equipment is not required. When the lift goes up, since the Tv mounting brackets will stay behind the TV, it does not ruin the decorative structure.

Tv Installing :

*The TV mounting section is made of 2 mm steel with electrostatic coated

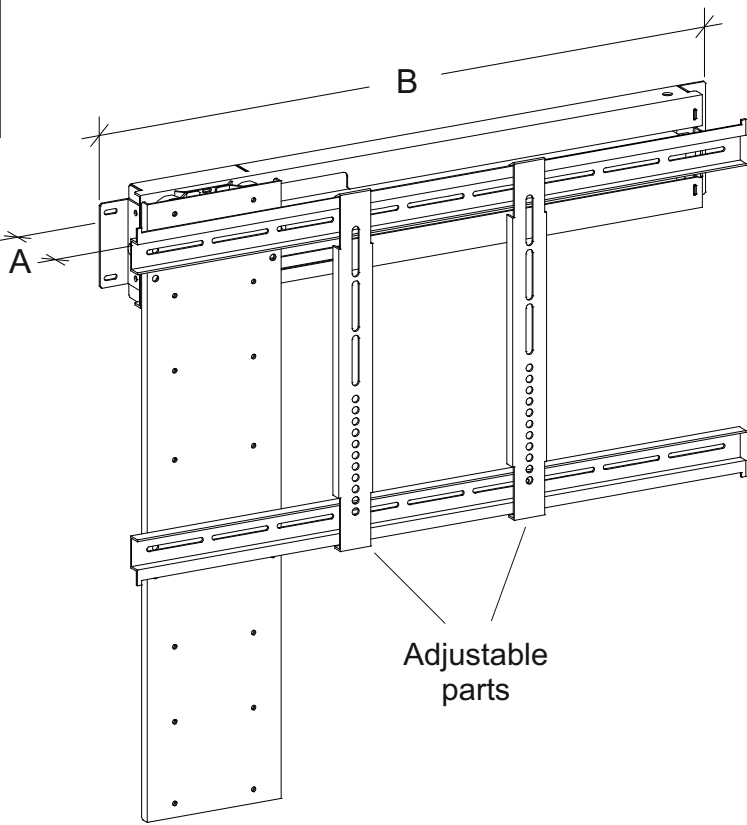
*Mounting holes designed according to VESA standards.

Attention :

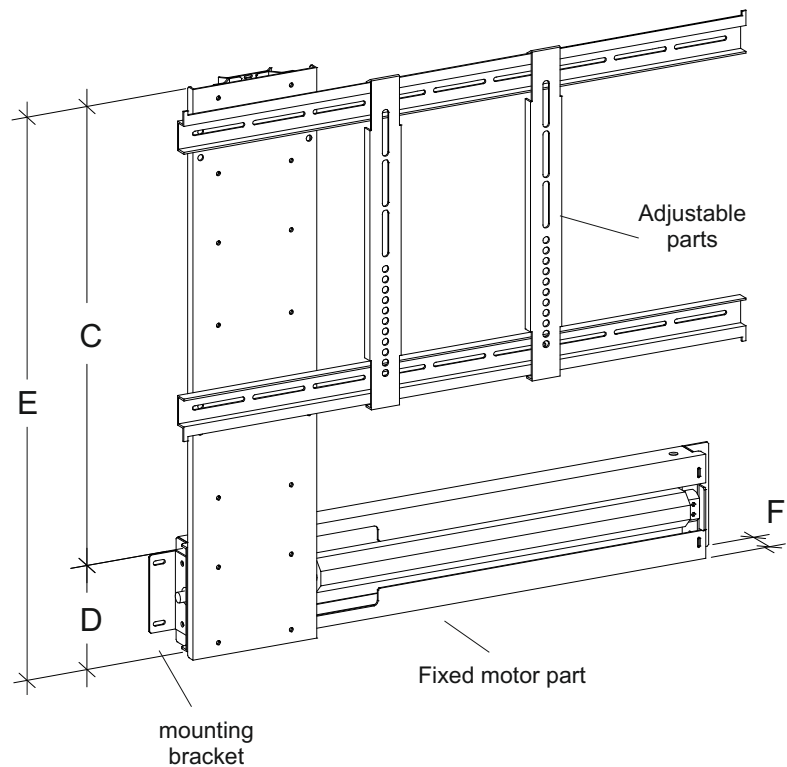
*Use the dimension table given below for your furniture applications. For perfect work of the lift user manual set out in the guide are recommended in full and in order respectively

*Remove the balance sheet before operating the unit.

*Pay attention to cables when positioning your monitor and all cables should be connected to the cable hanging scissor.



Turn of position



Turn on position

Standart Dimensions

MODEL	A	B	C	D	E	F	MAX. TV HEIGHT
IC-03 (32")	8	70	54	12	66	4	52 cm
IC-04 (42")	8	70	67	12	79	4	65 cm
IC-05 (55")	8	70	76	17	93	4	73 cm

All dimensions are in cm