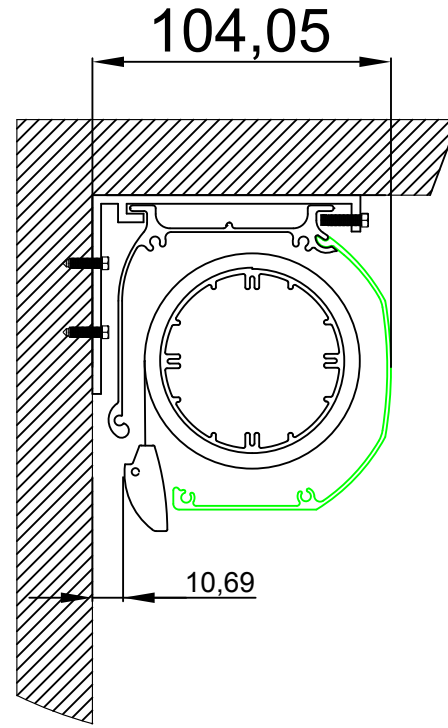
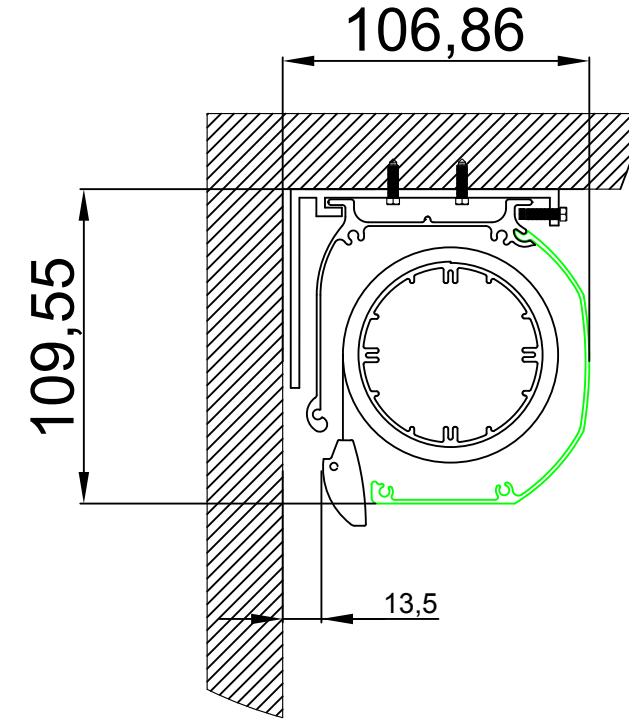


## DUVAR MONTAJI



## TAVAN MONTAJI



TITLE: Best Vision  
Perde & Sahne Sistemleri

Tel:0212-250 60 07 Fax:0212-250 60 08  
www.bestvision.com.tr

DWG NO & NAME: ANATOLIA

A3

DRAWN:

CHK'D

DATE:

SCALE: